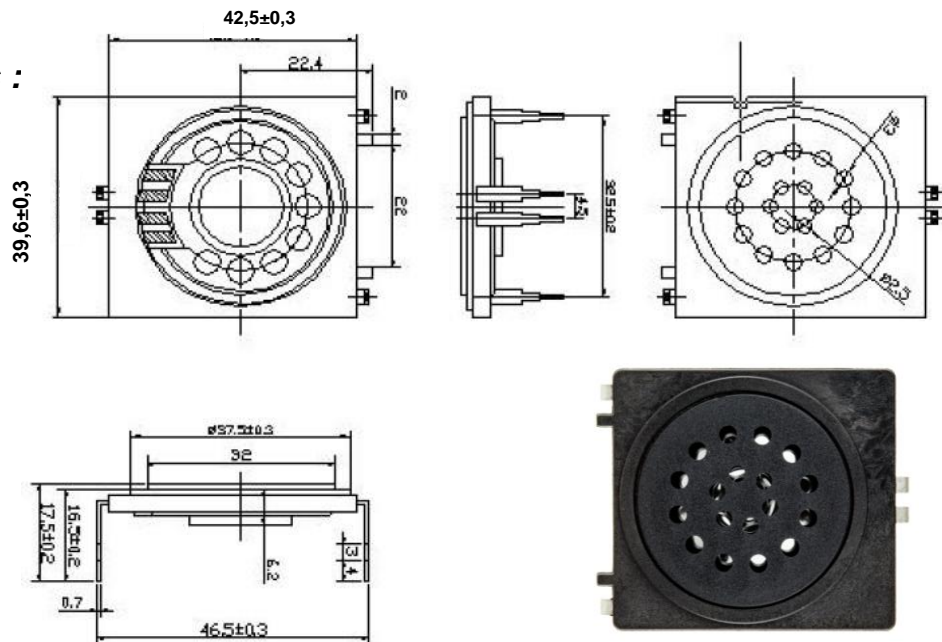


Lautsprecher LSM-S36K Art.-Nr.: 140045SA

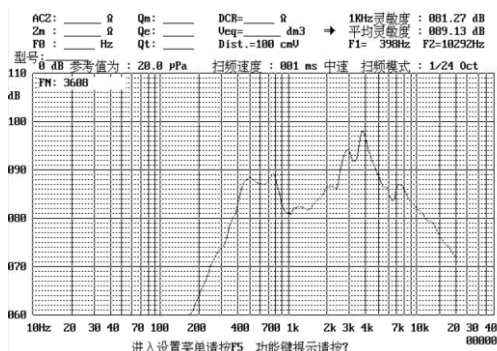
Specification :

TYPE	UNIT	LSM-S36K
Impedante	Ω	16 \pm 20%
Power (Nominal)	W	0.2
Power (Maximum)	W	0.4
Resonant Frequency	Hz	550 \pm 25%
Sound Pressure Level	dB	82 \pm 3
Frequency Range	Hz	Fo~4.000
Operating Temperature	$^{\circ}$ C	-10~+55
Storage Temperature	$^{\circ}$ C	-20~+60

Dimensions :
(Unit : mm)



Frequency Response :



Version 1 / 10/2021